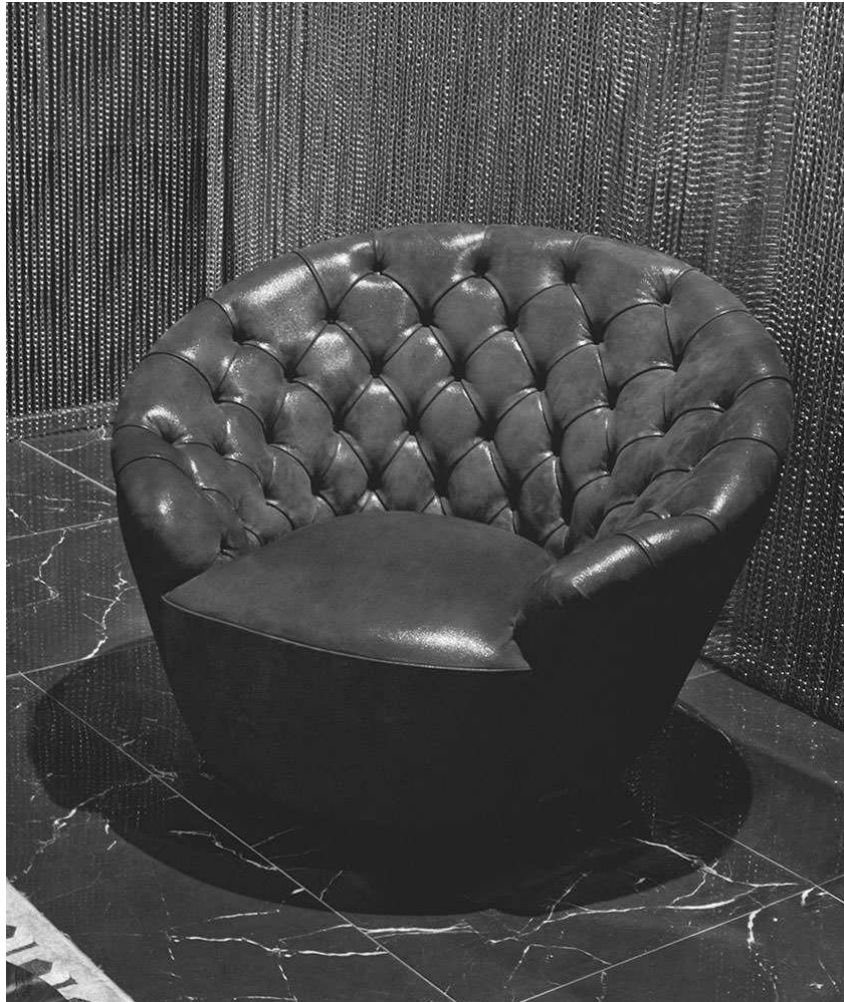


Agon

ARMCHAIR



PRODUCT FAMILY: Visionnaire

PRODUCT LINE: Agon

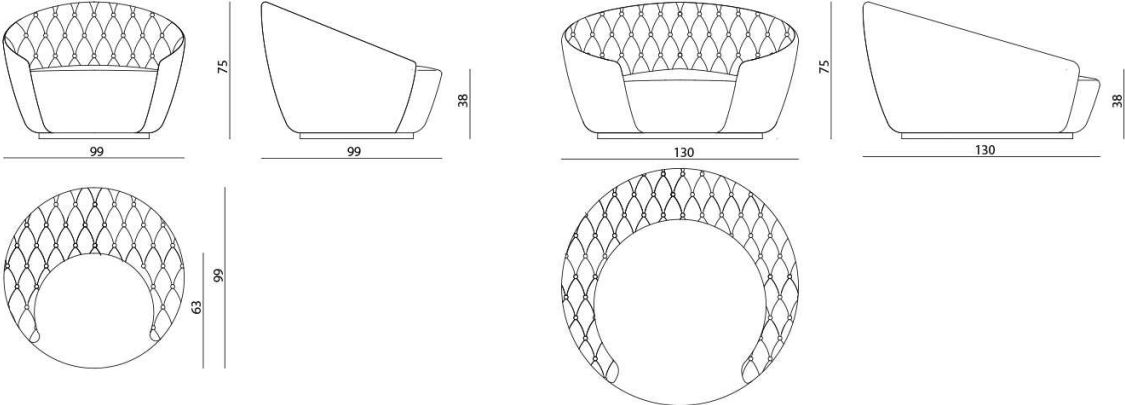
Structure in multiply and poplar compensate with external closing panels in polyurethane density D. 40 kg/m³. Seat suspension with elastic belts with cushion padding in polyurethane, double density D. 45 kg/m³. Back padding in polyurethane, density D. 18 kg/m³. Cover of frame with layers of polyester fibre 150 gr. Base in solid poplar, upholstered in leather or fabric. Cover capitonné not removable. Option: swivel base.

PRODUCT CATEGORY: Armchairs

EXPO: › Salone Int. Milano 2012

SPACES: › Oberon Livingroom Int. Milano 2012

DESIGN: ›Roberto Lazzeroni



© IPE Srl - Zola Predosa (BO) Italia - P.iva
03007721206